

INTERFACE CONVERTERS



4 E1 - 4 x 10/100 Ethernet converter with VLAN dot1Q support and professional GUI NMS

Ethernet interface

ST-2907-FA

Overview

4 E1 - 4 x 10/100 Ethernet converter with GFP-F, VC (Virtual Concatenation), LCAS support and professional GUI NMS. It's a most latest product in n x E1 to Ethernet converter range in Spiktel product line. Besides the basic idea of bundling 4E1 to get 8 Mbit/s via professional GUI NMS access to wide array of user friendly features are possible now. 2907-FA-4ETH-G is the IP over TDM converter, which supports the conversion from MAC frames to 1 – 4 E1 lines. The maximum bit rate is 8 Mbps (4 E1 lines). With different LAN card, E1 card and power card, it can meet various requirements and can be customized to fit your network needs. It not only provides alarms and status of the E1 line and Ethernet interface together with advanced management functions, such as, throughput statistic of the Ethernet, but also supports the Unification Network Management via SNMP and GUI. Compliant to international standards, the device can communicate with products from other manufacturers adopting the same standards.

4 Fast Ethernet interfaces operate in full or half duplex with flow control, the mode can be set or monitor by management software.

Unit also has a multi-port bridging capability handling up to 5 bridge ports. The Bridge supports two modes of operation: VLAN-Enable and VLAN-Disable mode. In VLAN-Enable mode, it creates sub-groups of bridge ports within the bridge. Each sub-group is associated with a unique VLAN ID (VID). Frames containing a VID can be forwarded only between bridge ports which are members of the specific VLAN, enabling a total separation between different VLAN users within the same bridge;

Features

For 4 E1 interface ports:

- * Supports automatic removal and recovery of E1 channels that used for carrying payload. The E1 channels that have urgent alarm, such as LOS and LOF, or the Bit Error Rate (BER) exceeds 1E-6, are removed automatically, and during this period, some Ethernet packets may be lost; It will be resumed when the fault dismisses;
- * Supports the embedded E1 BER Tester function, to detect any E1 channel of 16 channels. When the embedded E1 BER Tester is used via CLI command, the particular E1 channel on testing mode can not convey E1 service, while the other E1 channels are not affected by the BER test;
- * The differential delay between any two of the 16 E1 can be up to 220ms; when the factual differential delay exceeds 220ms, alarm is generated and Ethernet is cut off.
- * Jitter tolerance and jitter transfer characteristic compliant to ITU-T G.823.

For 4 10/100 Ethernet Interface Ports:

- * Provides up to 4 shared Ethernet interfaces.
- * 1024 MAC address table and 5-minute aging time.
- * Accepts frames with length between 64 and 1916 bytes (otherwise filtering).
- * VLAN setting function based on tags compliant to IEE 802.1Q.
- * Throughout statistic of the Ethernet packets based on port, such as error packets.
- * Configurable pause flow control .
- * Optional optical Ethernet interface compliant to IEEE 802.3u 100BASE-FX standard (can communicate with remote optical transceiver) and electrical Ethernet interface compliant to IEEE 802.3u 100 BASE-TX standard.
- * By default, 4 Ethernet ports are 10/100 BaseT Based, but fiber optical FX type ports are also possible with ranges up to 120 km.

For GUI Professional Management Interfaces

GUI via serial RS232 port and telnet.

2907-FA-4ETH-G network management platform based on SNMP.

Special features and compliances

- * GFP-F encapsulation recommendation G.7041.
- * Virtual concatenation(VCAT) and Link Capacity Adjustment Scheme (LCAS) recommendation G.7042.
- * Ethernet to nxE1 mapping recommendation G.7043.
- * Ethernet to single E1 mapping recommendation G.8040.
- * Bandwidth is increased without damaging the Ethernet data, and can be decreased no injury through management;
- * E1s in the local and remote sides can be arranged arbitrarily, such as, the remote E1 port 1 can communicate with local E1 port
- * Supports bandwidth unbalanced usage – when some E1s cannot work properly (i.e. the bandwidth of the sending and receiving can be 2E1 and 3E1 respectively).
- * Provides the E1 connection-ship between local and remote system (accessed via GUI).

Features

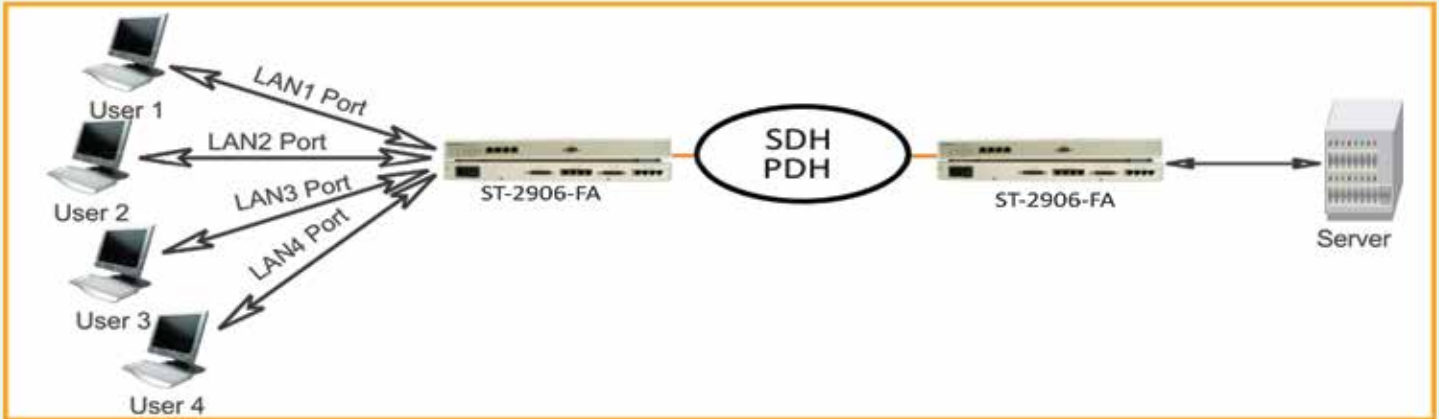
- * E1 tributary signal loopback automatic detect and cut off; when some E1 signal is detected as looped back, it will be not employed for carrying payload temporarily, and when the loopback is broken, this E1 will resume to be used.
- * Remote/local E1 loopback function will be convenient for E1 line(transmission system included) testing .
- * Complete alarm which is selectable to be shown between local and remote. Historical & Current alarm databases.
- * Single-board design with small dimension, 1U high and low power consumption.

Specifications

Electrical Ethernet Interface:	Connector: RJ-45 Working mode: Auto - negotiation is the default setting Complies with IEEE 802.3 and 10/100 Base-Tx Ethernet Protocol
E1 interface	Bit rate: 2.048Mb/s±50ppm Code format: HDB3 Impedance: 75 Ohm is default, Optional 120 Ohm Jitter transfer, Jitter tolerance comply with ITU-T G.703、G.704、G.823 recommendations
Ethernet related parameters	MAC address table capacity: 1K MAC aging time: 5 min Minimum frame-length: 64 bytes Maximum frame-length: 1916 bytes Working mode: Support auto-negotiation compliant to IEEE802.3u. Enabled as default VLAN function: Disabled as default, you can set VLAN's from GUI Flow control: Enabled as default Bandwidth: ≈n×E1 (n=0~4) Default is 4×E1 ≈8.19Mbps
Physical:	Dimension: 434mm×44mm×155mm (width× height× depth) Weight: 2.0 kg Power consumption: 8W±10%
Working environment:	Operating temperature: -5°C ~65°C Storage temperature: -40°C ~70°C Humidity: ≤95%, free from condensing

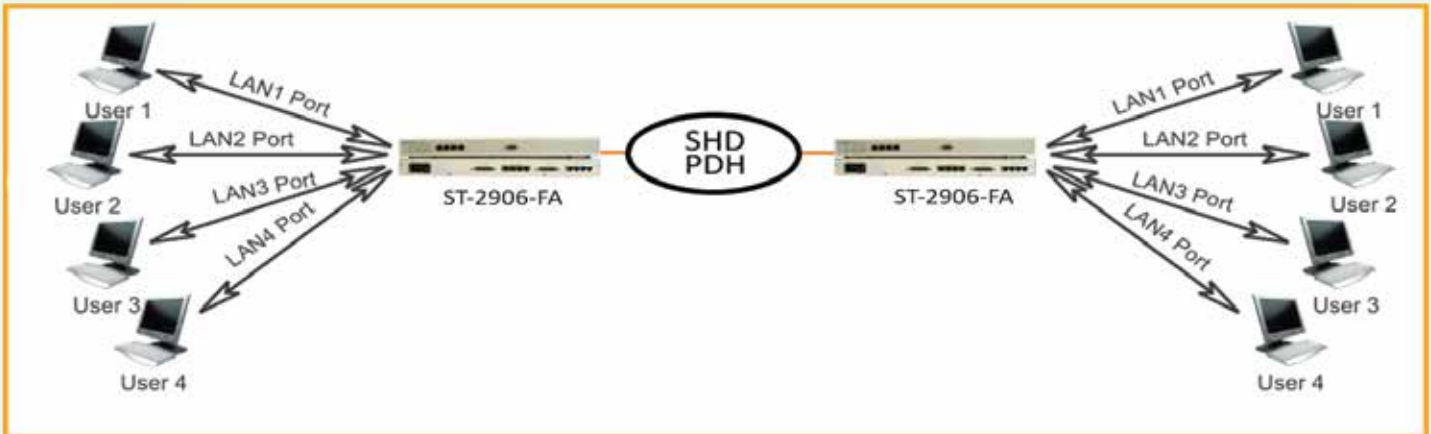
4 E1 - 4 x 10/100 Ethernet converter with VLAN dot1Q support and professional GUI NMS

Device networking application - unit's are connected to using 4E1 lines directly to PDH or SDH network, and special interconnection features are possible at SDH level due to GFP-F, VC and LCAS technology support.



Access Server - Two 2907-FA devices are connected via SDH or PDH transmission network interconnection. Using GFP and VC technology get together 1~16E1 and provide 16x2Mbps transmission channel bandwidth used to transport Ethernet services. Transmission channel bandwidth dynamic adjustment using LCAS technology.

'User 1' and 'User 2' can communicate with each other and are able to access to the 'Server', 'User 3' and 'User 4' can communicate with each other and are able to access to the 'Server', But 'User 1' and 'User 2' are isolated with 'User 3' and 'User 4'.



Ordering Information

2907-FA/AC	4E1 - 4 Ethernet converter with professional GUI manager, GFP/LCAS/VC support, AC 96-260 power
2907-FA/DC48	4E1 - 4 Ethernet converter with professional GUI manager, GFP/LCAS/VC support, DC 48 V power
2907-FA/ACDC	4E1 - 4 Ethernet converter with professional GUI manager, GFP/LCAS/VC support, DC 48 V power

* All Right reserved to Spiktel

* Specs and Pictures of the product can be revised according to R&D

* Products design in UK.

www.spiktel.co.uk

www.spiktel.com

Enquiry: sales@spiktel.com

Corporate Office

UK

SPIKTEL TECHNOLOGIES LLC.
179B Norwood Road Southall Middlesex UK UB2 4JD
Tel:+44-0208-8432233, Fax: +44-0208-5742244

Branches

HongKong

SPIKTEL INTERNATIONAL CO. LTD.
801, 8/F, Opulent Bldg.,
402-406 Hennessy Rd., Wanchai, Hong Kong
Tel: +852- 2893 8228 Fax: +852- 2893 1822

India

SPIKTEL TECHNOLOGIES PVT. LTD.
F-23, Roshanara Complex, Roshanara Road,
Delhi-110007 Tel:- +91-11-23824050, 64704050

Dubai

SPIKTEL TECHNOLOGIES MEA
New Al Kuwaitat, Street 8, Villa 2B, AL AIN , UAE
P.O. Box. 13787, Tel/Fax: +9713-03-7377053